

PLEASE CHECK WWW.MOLEX.COM FOR LATEST PART INFORMATION

Part Number: [0351510614](#)
Status: **Active**
Overview: [versablade](#)
Description: 7.30mm (.287") Pitch Wire-to-Wire VersaBlade™ Hybrid Receptacle Housing, 6 Circuits, Polyester UL94V-0, Blue

Documents:

[3D Model](#) [Product Specification PS-35150-003 \(PDF\)](#)
[Drawing \(PDF\)](#) [RoHS Certificate of Compliance \(PDF\)](#)

Agency Certification

CSA	LR19980
TUV	R72090206
UL	E29179

General

Product Family	Crimp Housings
Series	35151
Comments	Polarized to Mating Part, Positive Lock
Overview	versablade
Product Name	VersaBlade™

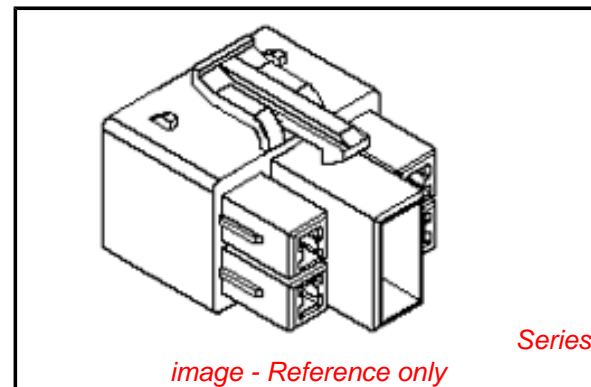
Physical

Circuits (maximum)	6
Color - Resin	Blue
Flammability	94V-0
Gender	Female
Glow-Wire Compliant	No
Keying to Mating Part	None
Lock to Mating Part	Yes
Material - Resin	Polyester
Number of Rows	2
Packaging Type	Bag
Panel Mount	No
Pitch - Mating Interface (in)	0.287 In
Pitch - Mating Interface (mm)	7.30 mm
Polarized to Mating Part	Yes
Stackable	No
Temperature Range - Operating	-40°C to +120°C

Material Info

Reference - Drawing Numbers

Product Specification	PS-35150-003
Sales Drawing	SD-35151-061*



EU RoHS

ELV and RoHS Compliant
REACH SVHC
 Not Reviewed
Halogen-Free Status
Not Reviewed

China RoHS



Need more information on product environmental compliance?

Email productcompliance@molex.com
 For a multiple part number RoHS Certificate of Compliance, [click here](#)

Please visit the [Contact Us](#) section for any non-product compliance questions.

Search Parts in this Series

[35151Series](#)

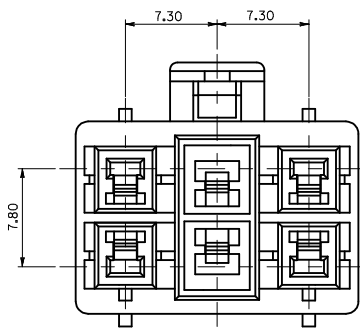
Mates With

[35151-0610](#) Receptacle Housing,
[35151-0614](#) Receptacle Housing

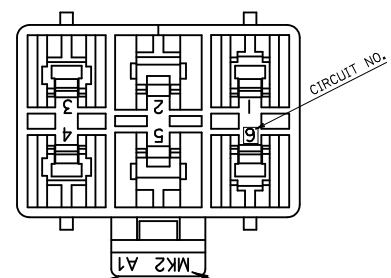
Use With

VersaBlade™ Crimp Terminals, [35745](#) ,
[35747](#) , [35748](#)

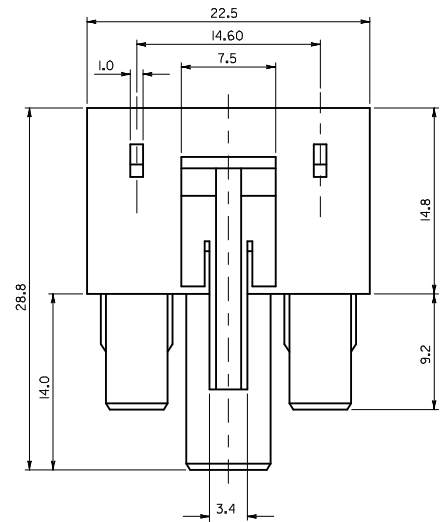
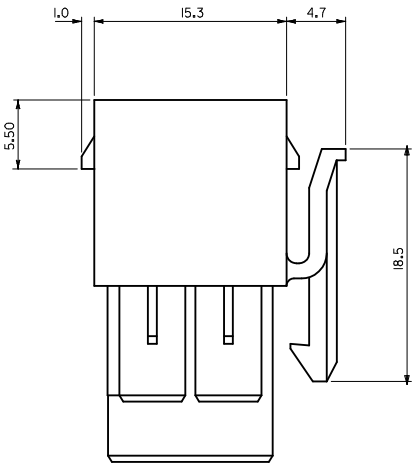
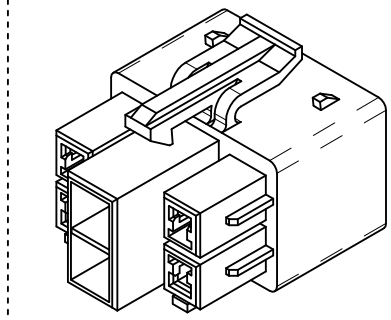
10 9 8 7 6 5 4 3 2 1



VIEW A*



© TOOL & CAVITY NO (TOOL:A.B. CAV:1.2.) TRADE MARK (MK2)



NOTES

- MATERIAL AND COLOR : SEE "[TABLE]"
- MATED HOUSING : 35150-60*/35150-61*
35150-039* (TPA)
- APPLICABLE TERMINAL : 35745-**** (2,5 CIRCUIT)
35746-**** (3,4 CIRCUIT)
©35748-**** (1,6 CIRCUIT)

No.	PRODUCT	MATERIAL
1	35151-0610 NATURAL	POLYESTER PBT (UL94V-0)
2	35151-0612 RED	
3	35151-0614 BLUE	
4	35151-0619 NATURAL	PC/PET (UL94V-0)
5	35151-3619 YELLOW	
6	35151-4619 BLUE	

REVISED EC NO: KOR2010-0093 DRWN: JHPARK01 2009/12/22 CHKD: WY YANG 2009/12/22 APPR: YUNSIKKIM 2009/12/22	QUALITY SYMBOLS	GENERAL TOLERANCES (UNLESS SPECIFIED)	DIMENSION STYLE	SCALE	DESIGN UNITS	THIRD ANGLE PROJECTION
	▽=0 ◻=0	mm INCH 4 PLACES ± --- ± --- 3 PLACES ± --- ± --- 2 PLACES ± 0.15 ± --- 1 PLACE ± 0.20 ± --- ANGULAR ±1/2°	MM ONLY	1:1	METRIC	
	DESCRIPTION	DRAFT WHERE APPLICABLE MUST REMAIN WITHIN DIMENSIONS	DRAWN BY: WY.YANG DATE: 1992/09/14 CHECKED BY: BK.CHOI DATE: 1992/09/14 APPROVED BY: DATE:	TITLE	7.3 PITCH W/W FEMALE HOUSING-6P	
	REV		MATERIAL NO. SEE TABLE	DOCUMENT NO. SD-35151-061*	MOLEX INCORPORATED	

THIS DRAWING CONTAINS INFORMATION THAT IS PROPRIETARY TO MOLEX INCORPORATED AND SHOULD NOT BE USED WITHOUT WRITTEN PERMISSION

9 8 7 6 5 4 3 2 1